

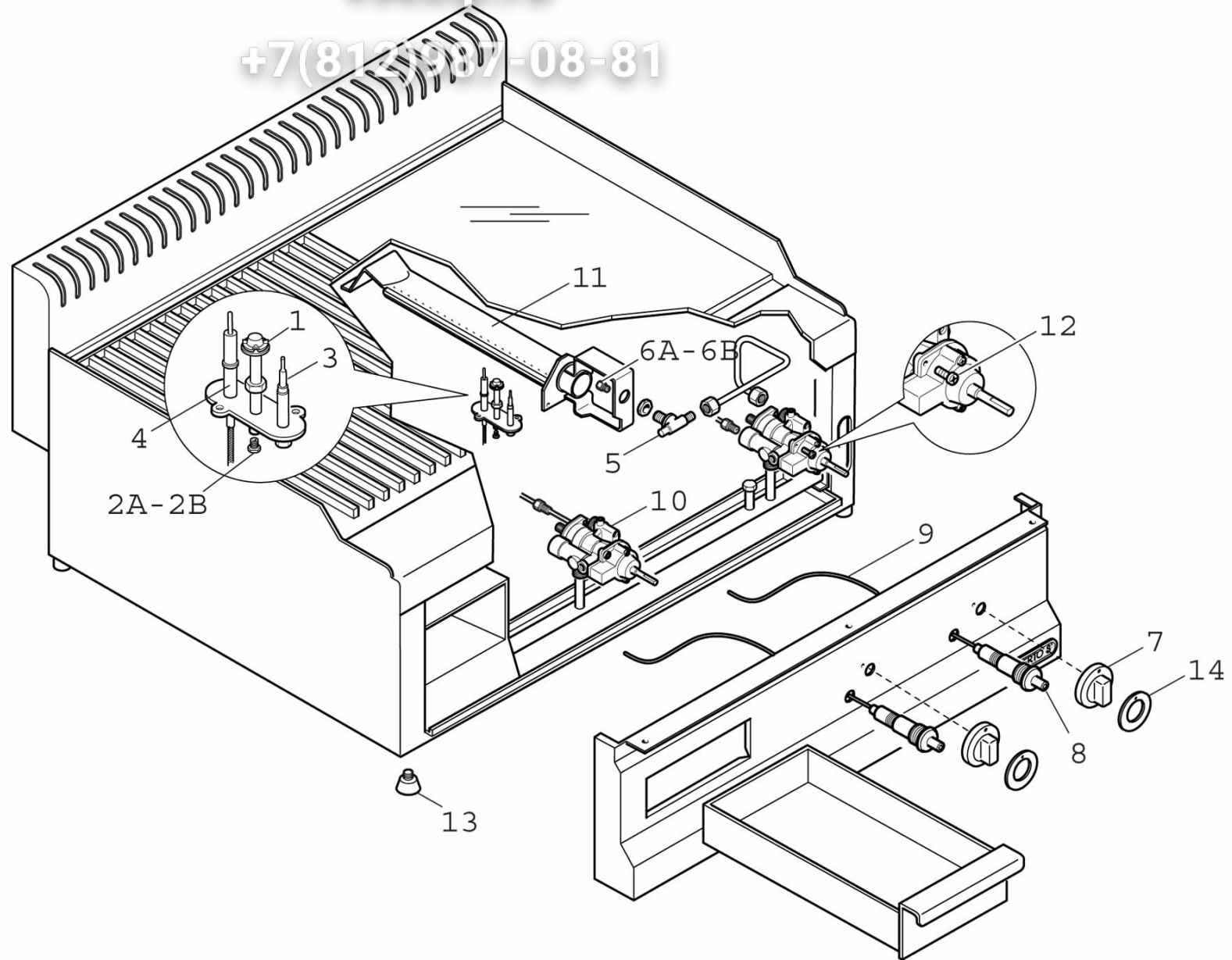


G7FL4B

Зип Общепит

vsezip.ru

+7(812)987-08-81





G7FL4B

Зип Общепит

vsezip.ru

+7(812)987-08-81

| Pos. Item | Codice Code | Descrizione | Item Description | Designation articles | Artikelbeschreibung | Decripción articulos | N° pezzi - No. pieces | | | | |
|-----------|-------------|--------------------------------|--------------------------------|--------------------------------|--------------------------------|--------------------------------|-----------------------|--|--|--|---|
| | | | | | | | | | | | |
| 1 | 27291100 | Pilota (0160) | Pilot | Veilleuse | Zundflamme | Piloto | | | | | 1 |
| 2A | 40000000 | Ugello: indicare modello e tip | Injector: specify model and ga | Gliceur: specifier modele et g | Duese: modell und gas-typ zeig | Tobera: precisar modelo y tipo | | | | | 1 |
| 2B | 40000000 | Ugello: indicare modello e tip | Injector: specify model and ga | Gliceur: specifier modele et g | Duese: modell und gas-typ zeig | Tobera: precisar modelo y tipo | | | | | 1 |
| 3 | 22296900 | Candeletta acc. gl/cpg/plg/fry | Ignition plug gl/cpg/plg/fry-t | Bougie allumage gl/cpg/plg/fry | Kleine zundkerze gl/cpg/plg/fr | Bujia de encendido gl/cpg/plg/ | | | | | 1 |
| 4 | 31288600 | Termocoppia quick l=400 frytop | Thermocouple quick l=400 fryto | Thermocouple quick l=400 fryto | Thermoelement quick l=400 fryt | Termopar quick l=400 frytop | | | | | 1 |
| 5 | 32327600 | Portaugello gl-plg-cpg-cucine | Injector holder | Support injecteur | Dusenhalter | Soporte de tobera | | | | | 1 |
| 6B | 40000000 | Ugello: indicare modello e tip | Injector: specify model and ga | Gliceur: specifier modele et g | Duese: modell und gas-typ zeig | Tobera: precisar modelo y tipo | | | | | 1 |
| 6A | 40000000 | Ugello: indicare modello e tip | Injector: specify model and ga | Gliceur: specifier modele et g | Duese: modell und gas-typ zeig | Tobera: precisar modelo y tipo | | | | | 1 |
| 7 | 35876100 | Manopola rossa p. 8x6,5 a 180° | Red knob 8x6,5 180° | Manette rouge 8x6,5 180° | Drehknopf 8x6,5 180° | Mando rojo 8x6,5 180° | | | | | 1 |
| 7 | 35877100 | Manopola rossa p. 8x6,5 a 180° | Red knob p. 8x6,5 a 180°ral300 | Manette rouge p. 8x6,5 a 180° | Drehknopf p. 8x6,5 a 180°ral30 | Mando rojo p. 8x6,5 a 180°ral3 | | | | | 1 |
| 8 | 32188200 | Piezoelettrico dado | Piezoelectric ignition nut | Piezo-electrique ecrou | Piezozunder mutter | Piezoelectrico tuerca | | | | | 1 |
| 9 | 22189200 | Cavo accensione piezo faston o | Piezo ignition cable | Cable allumage piezo | Piezozundungskabel | Cable encendido piezo | | | | | 1 |
| 10 | 31273600 | Rubinetto pel21s;9x1;bypas 55 | Tap pel 21s;9x1;bypas 55 | Robinet pel 21s;9x1;bypas 55 | Hahn pel 21s;9x1;bypas 55 | Llave de paso pel 21s;9x1;bypa | | | | | 1 |
| 11 | 31782000 | Ass.bruciatore 5 kw frytop s.7 | 5 kw burner single/double mode | Brûleur p simple et double 5 k | Brenner für einzel und doppel | Quemador mod. individual/doble | | | | | 1 |
| 13 | 30684100 | Piedinoxbanc d.30xm8condado ba | Foot h.6mm | Pied h.6mm | Fuss h.6mm | Pata h.6mm | | | | | 4 |
| 14 | 31952200 | Serig.rossa manop.gas plg-cpg- | Red gas knob serigraphy | Serigraphie rouge manette | Rote drehknopfserigraphie | Serigrafia roja mando | | | | | 1 |